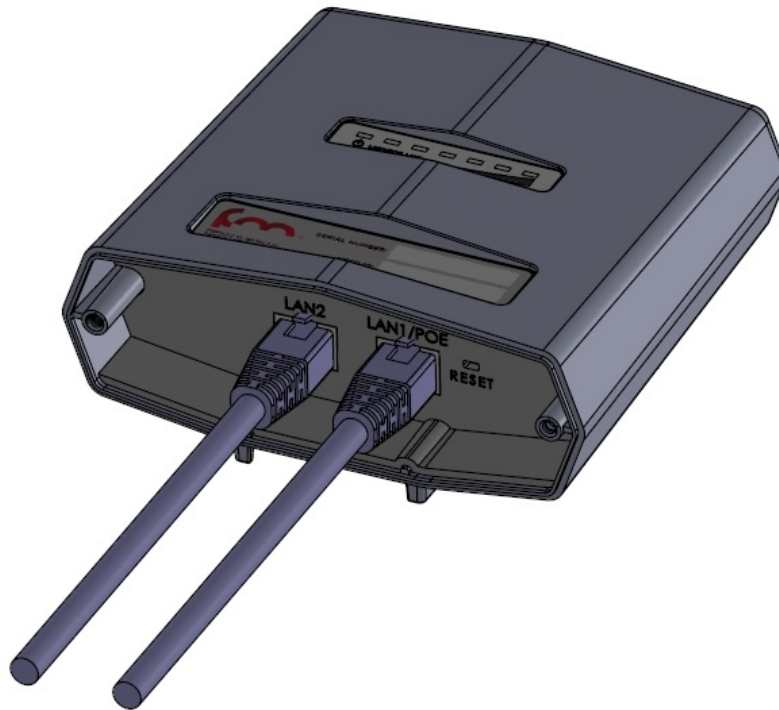
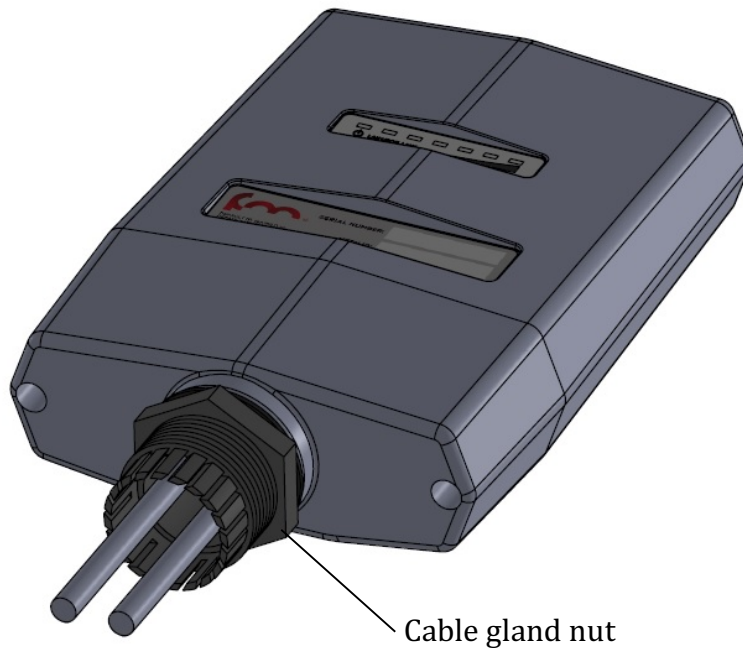


# Ip66 testing - product preparation

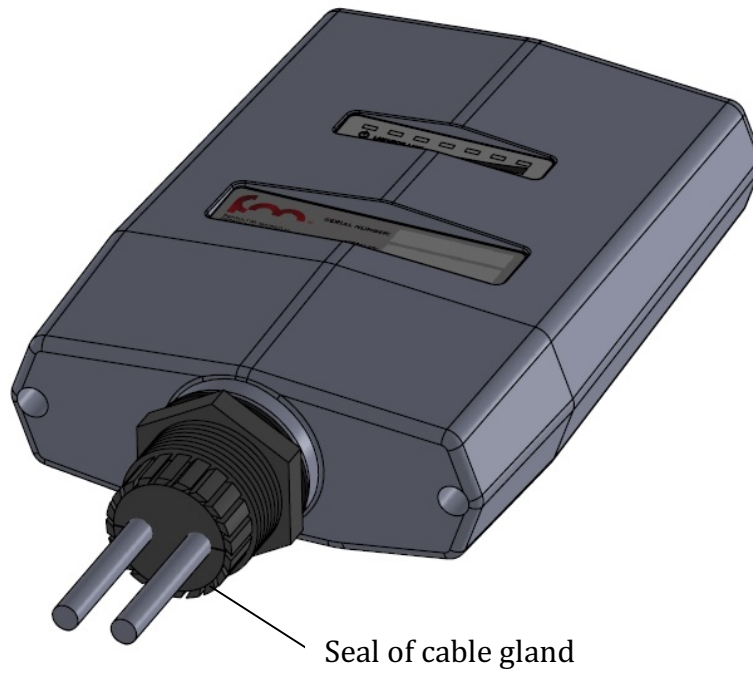
FM3500ENDO



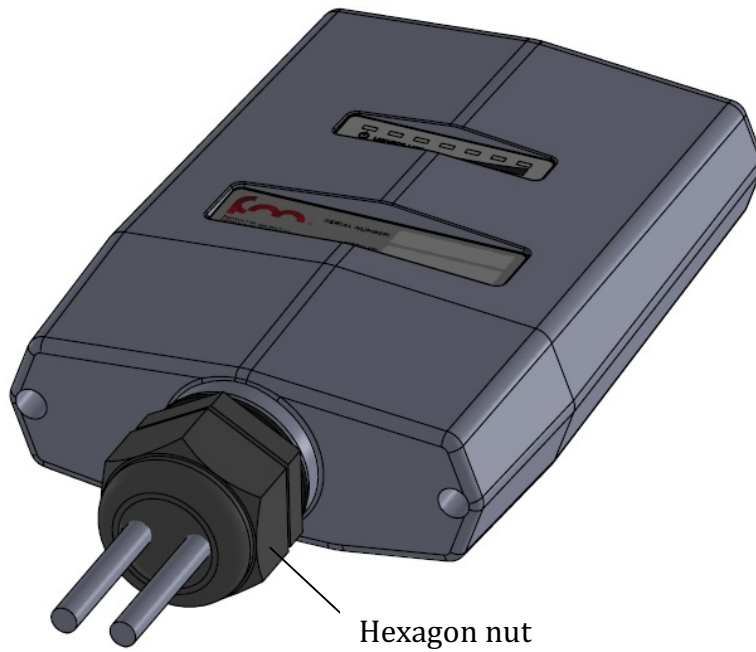
1. Open the bottom housing and install the RJ45 Plugs.



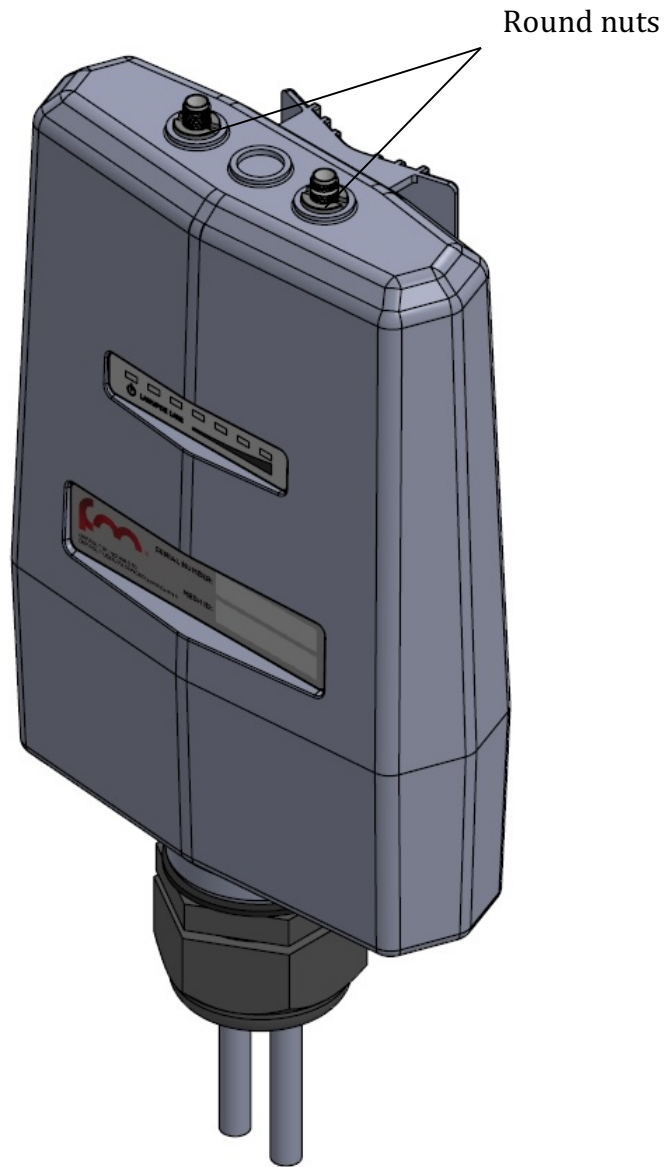
2. Assemble the bottom housing to top housing, tighten the screws.
3. Check/tighten the cable gland nut.



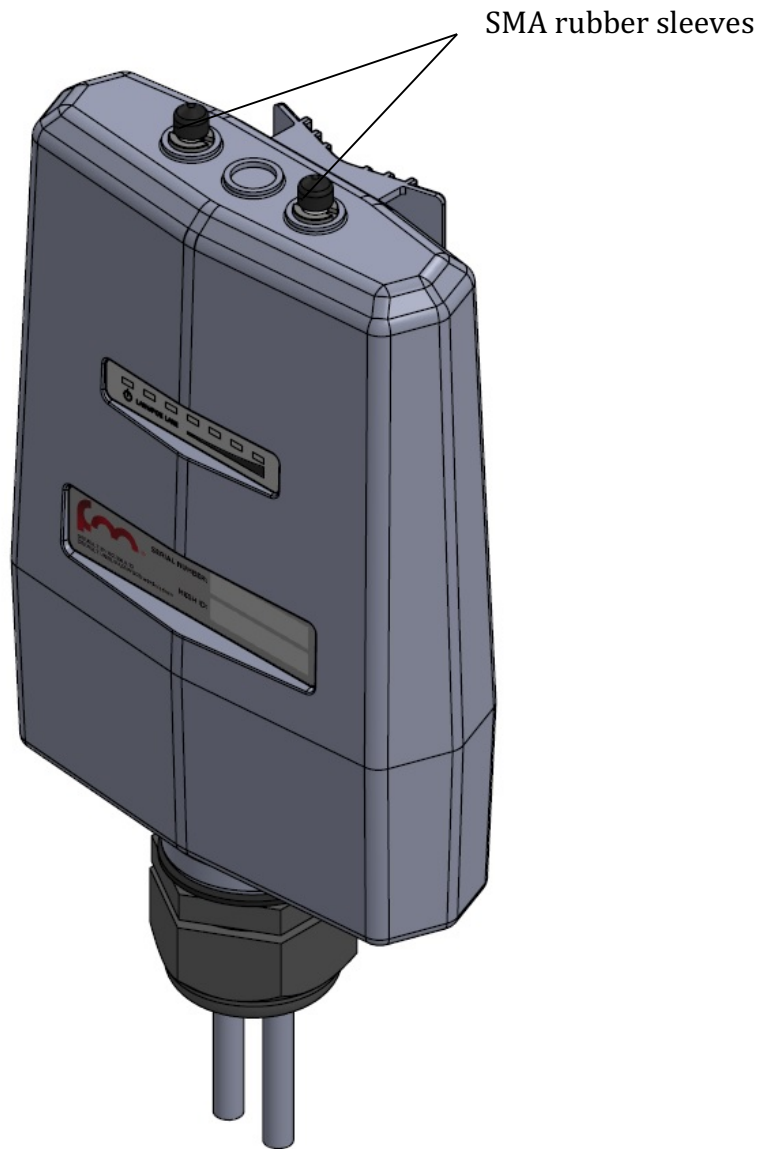
4. Install the rubber seal of cable gland.



5. Tighten the hexagon nut of cable gland.

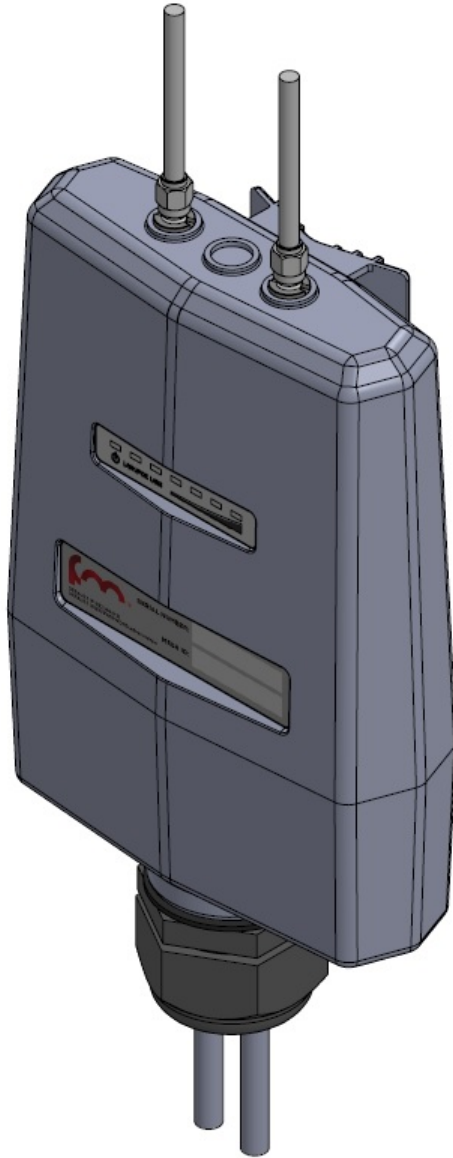


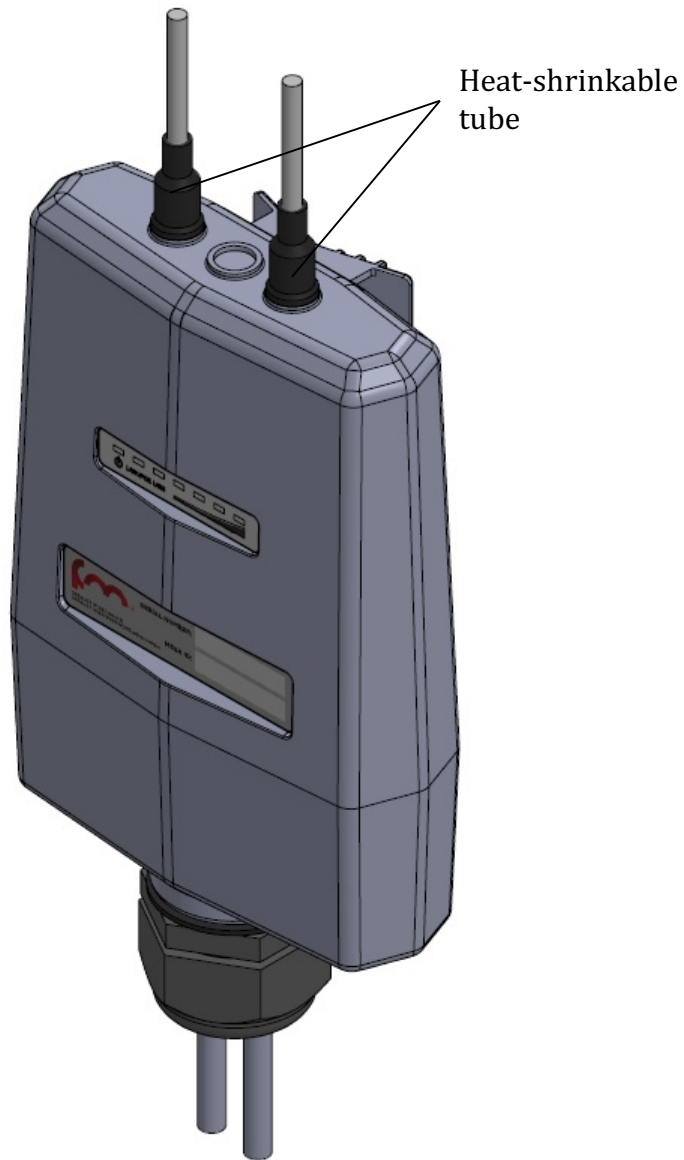
6. Check/tighten the round nuts of SMA connectors.



7. Put the SMA rubber sleeves on the SMA connectors.

*FM3500ENDO SMA Plug Installation Recommendation*





1. Remove the SMA rubber sleeves, fasten the SMA plug.
2. Apply the heat-shrinkable tube on the SMA connectors.



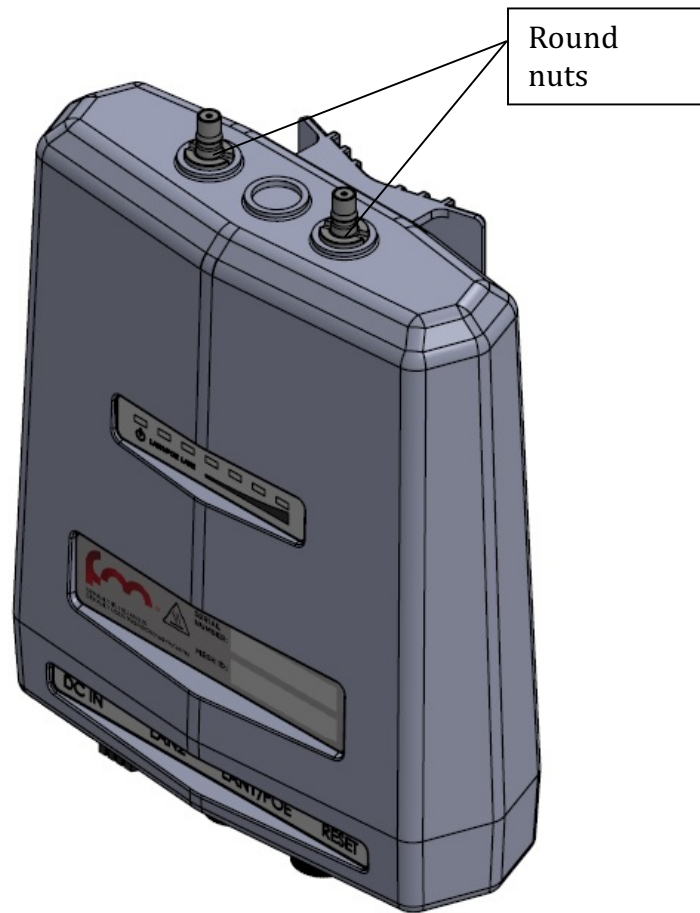
## FM4500MOBI



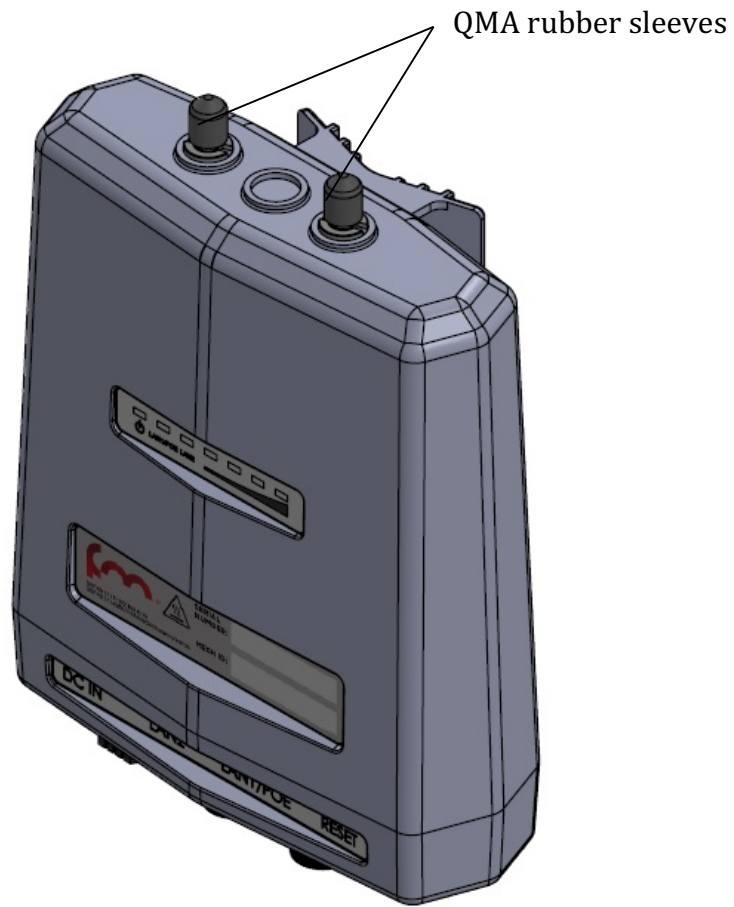
1. Check/Tighten the hexagon of M12 A-coded/M12 X-coded connectors.



2. Tighten the caps of M12 A-coded/M12 X-coded connectors.

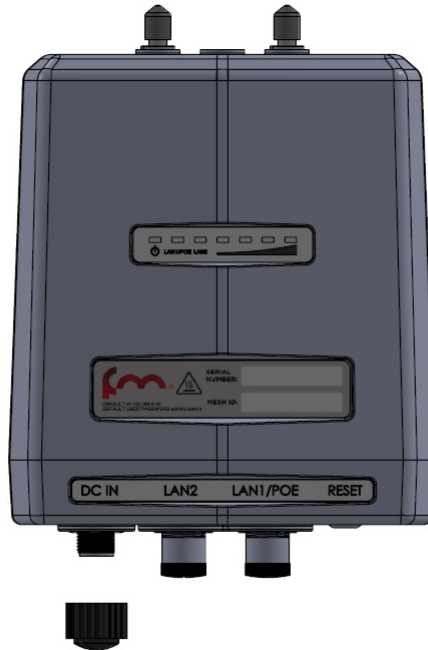


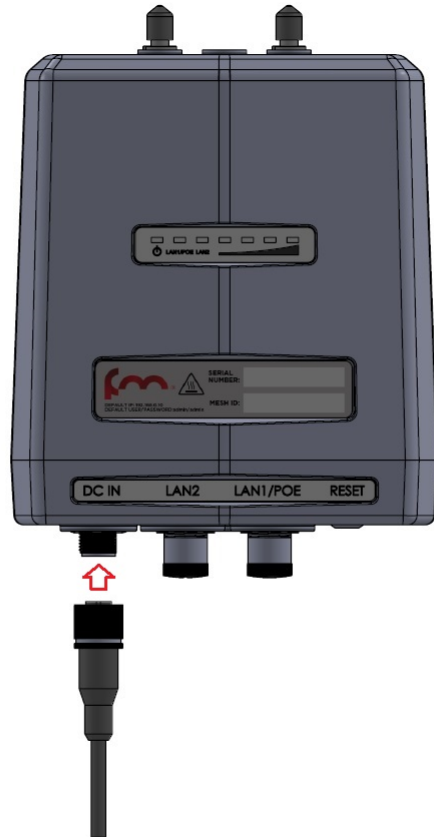
3. Check/tighten the round nuts of QMA connectors.



4. Put the QMA rubber sleeves on the QMA connectors.

*FM4500MOBI M12 A coded 5 pins Plug Installation Recommendation*

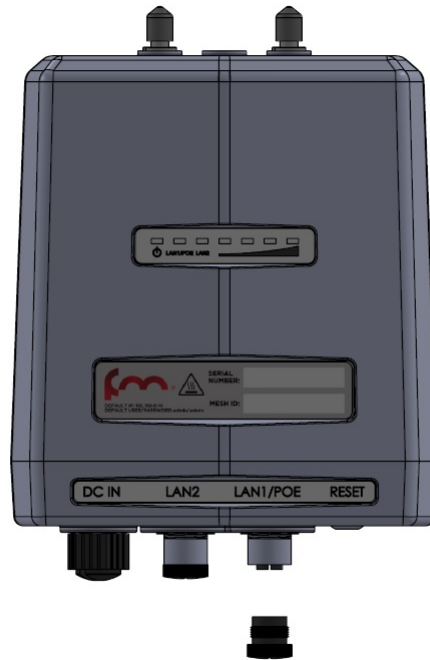


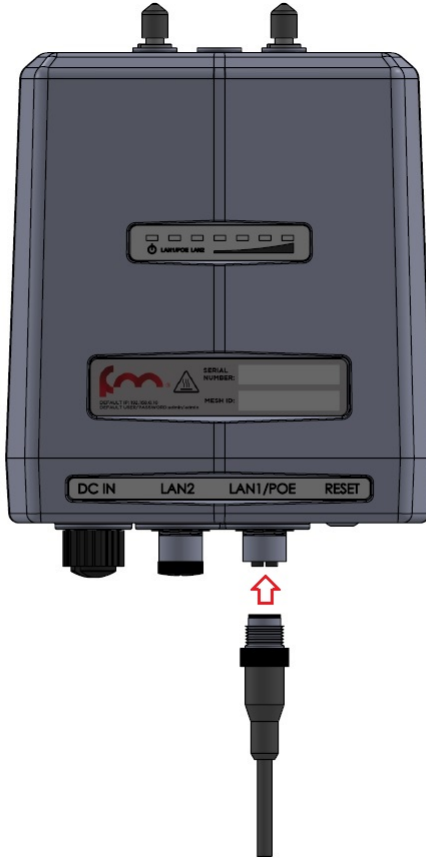


### M12 A coded 5 pins Plug Installation Recommendation

1. Remove the plastic cap.
2. Install the M12 A coded 5 pins Plug, the plug must be fully tightened in the M12 connector.
3. Before fastening the plastic cap back to the M12 connector, recommended wrapping seal tape around the thread on the M12 connector to prevent the water leaked issues.

*FM4500 MOBI M12 X coded 8 pins Plug Installation Recommendation*

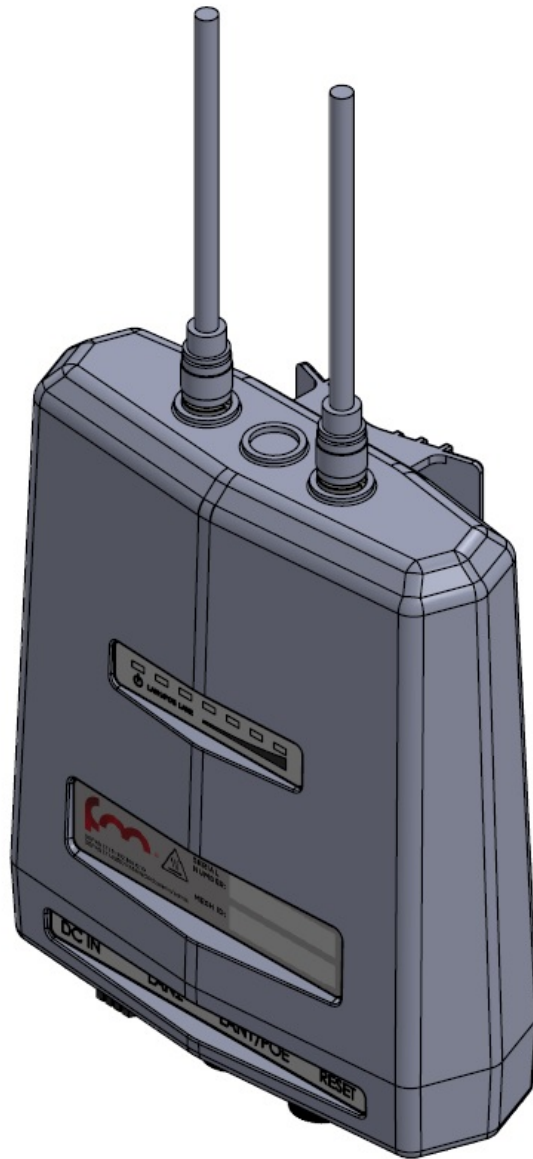


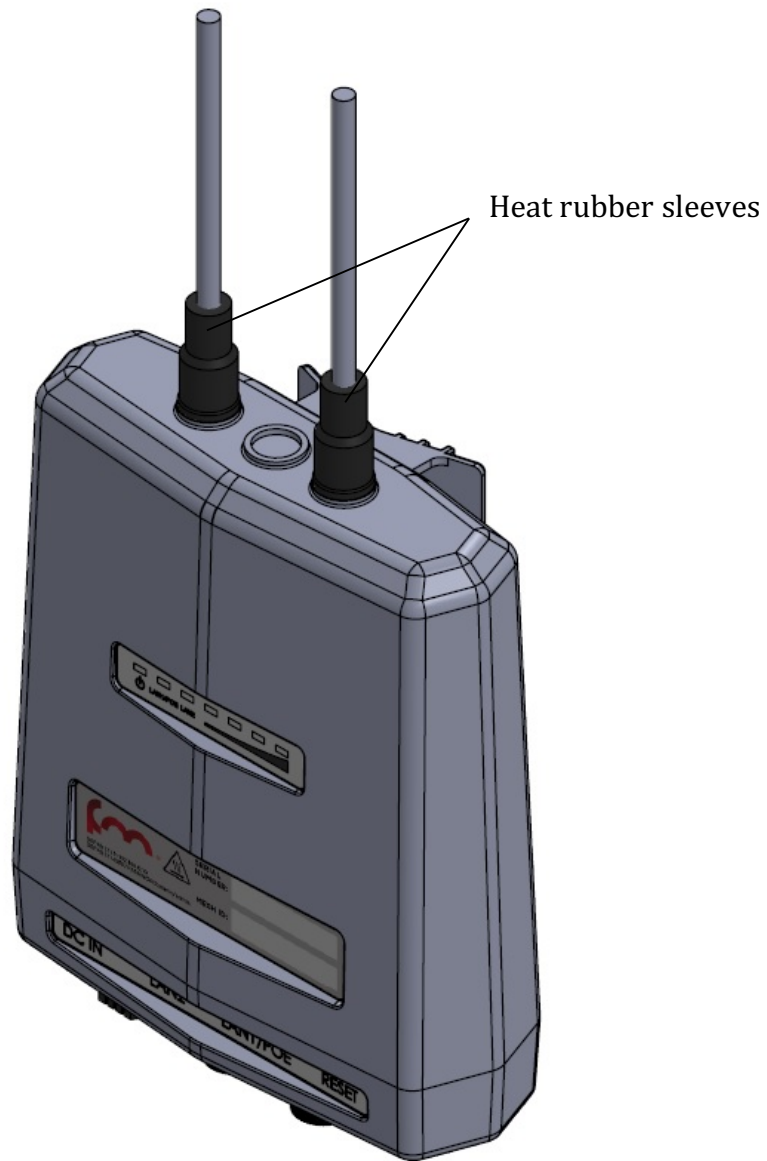


1. Remove the plastic cap.
2. Install the M12 X coded 8 pins Plug, the plug must be fully tightened in the M12 connector.



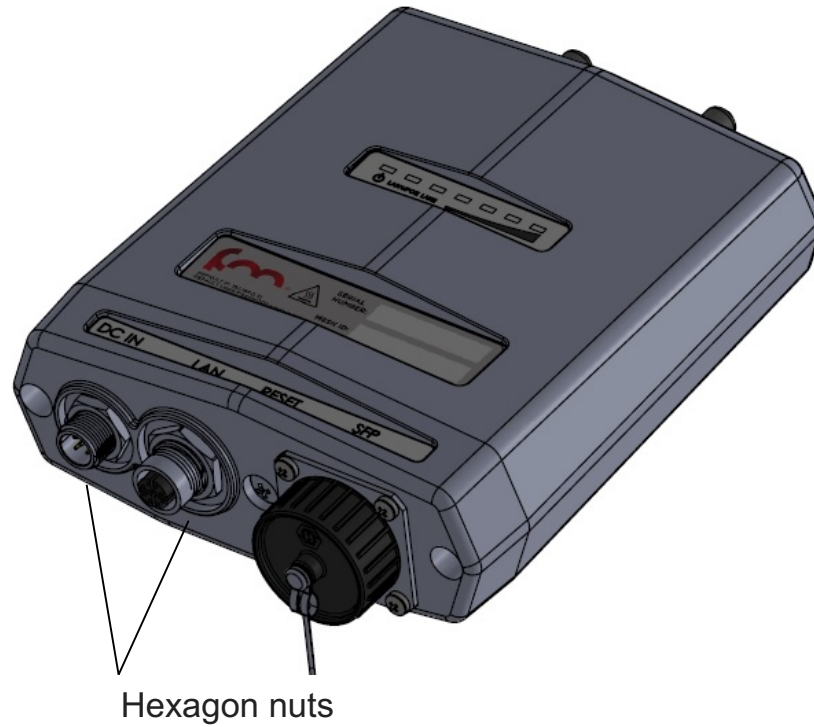
## FM4500MOBI QMA Plug Installation Recommendation





1. Remove the QMA rubber sleeves, fasten the QMA plug.
2. Apply the heat-shrinkable tube on the QMA connectors.

## FM4500FIBER

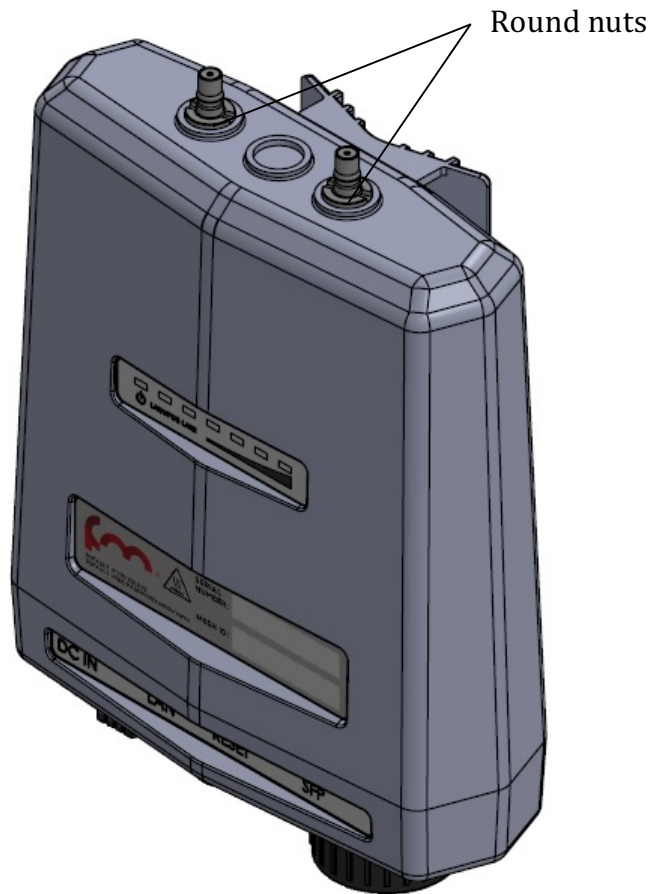


1. Check/Tighten the hexagon nuts of M12 A-coded/M12 X-coded connectors.

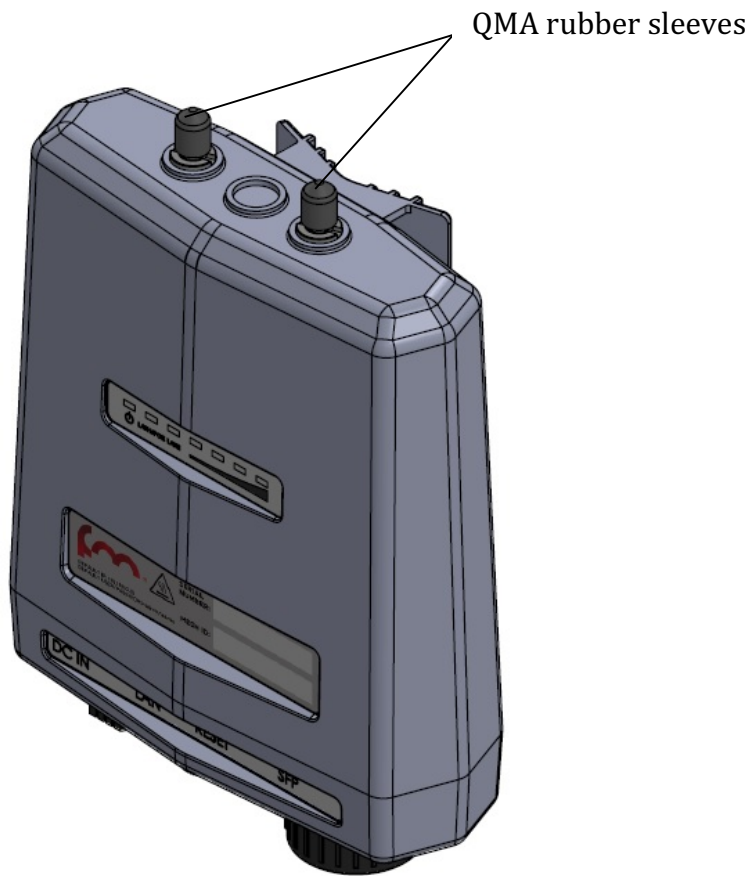


Screw of reset switch hole

2. Tighten the Caps of M12 A-coded/M12 X-coded connectors/XCO flange.
3. Check/tighten the screw of reset switch hole.

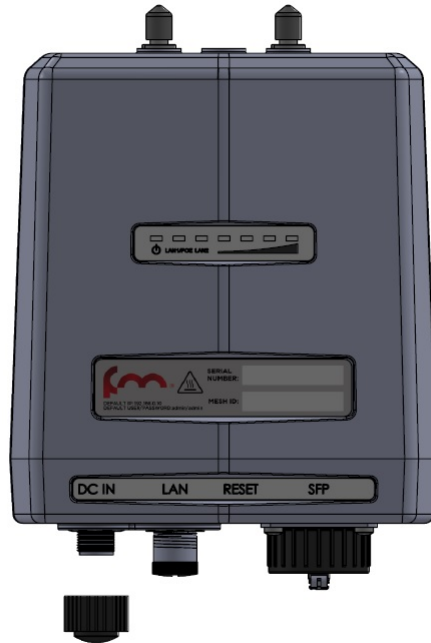


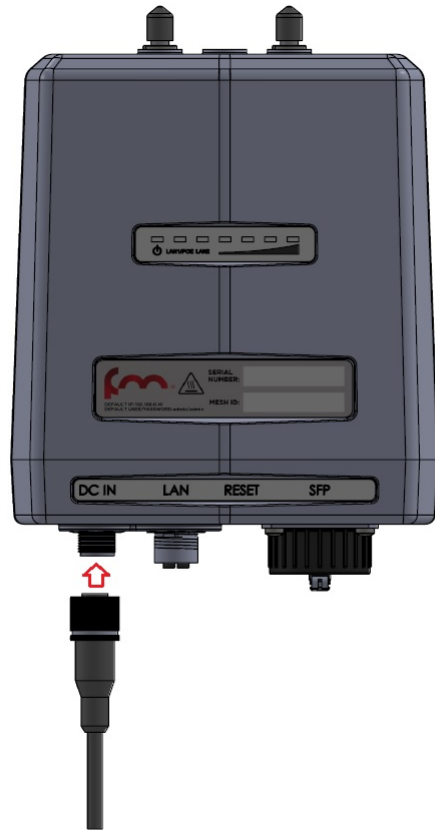
4. Check/tighten the round nuts of QMA connectors.



5. Put the QMA rubber sleeves on the QMA connectors.

*FM4500FIBER M12 A coded 5 pins Plug Installation Recommendation*

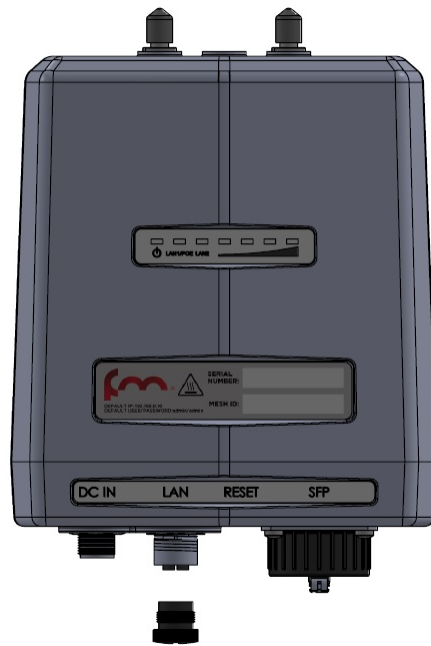


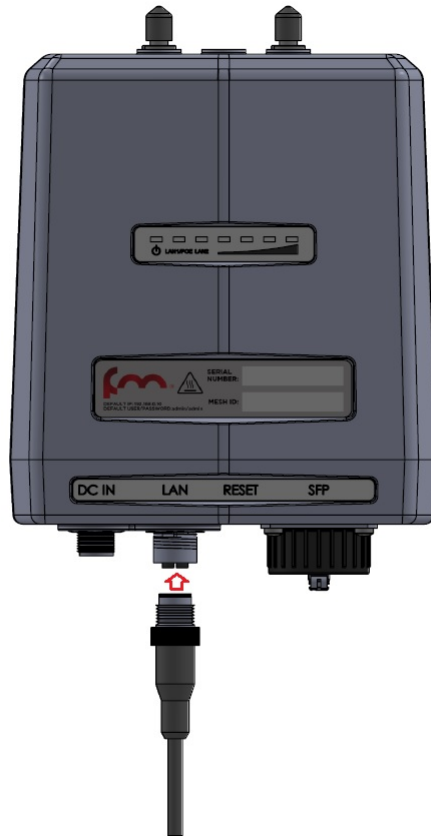


1. Remove the plastic cap.
2. Install the M12 A coded 5 pins Plug, the plug must be fully tightened in the M12 connector.
3. Before fastening the plastic cap back to the M12 connector, recommended wrapping seal tape around the thread on the M12 connector to prevent the water leaked issues.



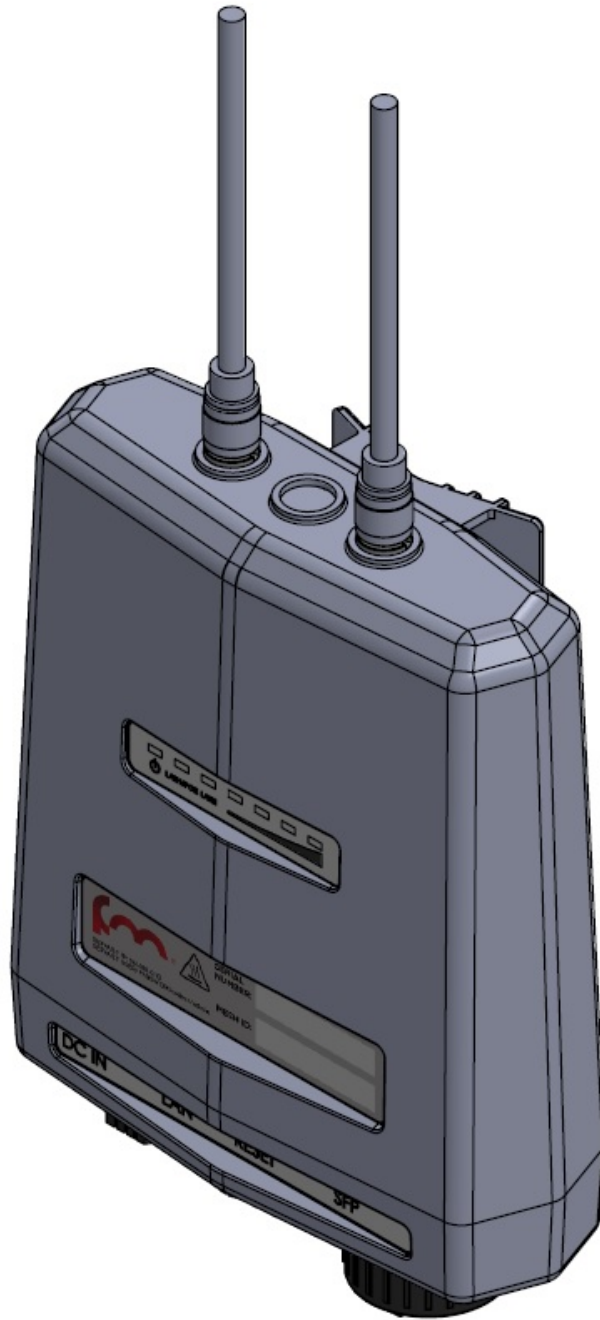
*FM4500FIBER M12 X coded 8 pins Plug Installation Recommendation*





1. Remove the plastic cap.
2. Install the M12 X coded 8 pins Plug, the plug must be fully tightened in the M12 connector.

*FM4500FIBER QMA Plug Installation Recommendation*





1. Remove the QMA rubber sleeves, fasten the QMA plug.
2. Apply the heat-shrinkable tube on the QMA connectors.